

SRC CULVERT

Victoria



RCPA, the Australian Pipe Company, produces a range of small box culverts for drainage applications.

To compliment the range of Steel Reinforced Concrete Pipes and Fibre Reinforced Concrete Pipes, RCPA produces a range of small box culverts, bases and lids / link slabs.

Benefits of RCPA SRC Culverts;

- Modern precast concrete production equipment
- Culverts comply with AS 1597.1-2010
- Fast manufacturing time
- Lifting anchors provided on all culverts, bases and lids/link slabs (2.5T swift lift)
- High strength, durable steel reinforced concrete

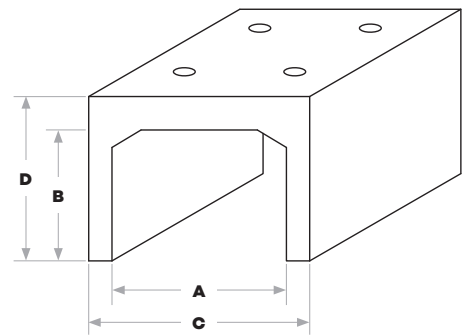
Fast. Smart. Proven. Strong.



THE AUSTRALIAN PIPE COMPANY

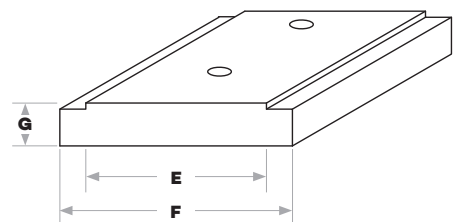
SRCULVERT

Span [A] (mm)	Leg [B] (mm)	Width [C] (mm)	Height [D] (mm)	Length (mm)	Weight (kg)
1200	1200	1400	1350	1200	1450
1200	900	1400	1050	1200	1300
1200	750	1400	900	1200	1200
1200	600	1400	750	1200	1050
1200	450	1400	600	1200	1000
1200	300	1400	450	1200	900
900	900	1080	1035	1200	1000
900	750	1080	885	1200	900
900	600	1080	735	1200	800
900	450	1080	585	1200	750
900	300	1080	435	1200	650
600	600	760	715	1200	560
600	450	760	565	1200	520
600	300	760	415	1200	440
450	450	600	560	1200	450
450	300	600	410	1200	340
300	225	440	325	1200	240



*Dimensions and weights subject to change

Span [E] (mm)	Width [F] (mm)	Height [G] (mm)	Length (mm)	Weight (kg)
1200	1400	180	1200	750
900	1080	160	1200	520
600	760	140	1200	310
450	590	120	1200	210
300	440	110	1200	140



*Dimensions and weights subject to change

1800 88 RCPA (7272)
rcpa.com.au



THE AUSTRALIAN PIPE COMPANY