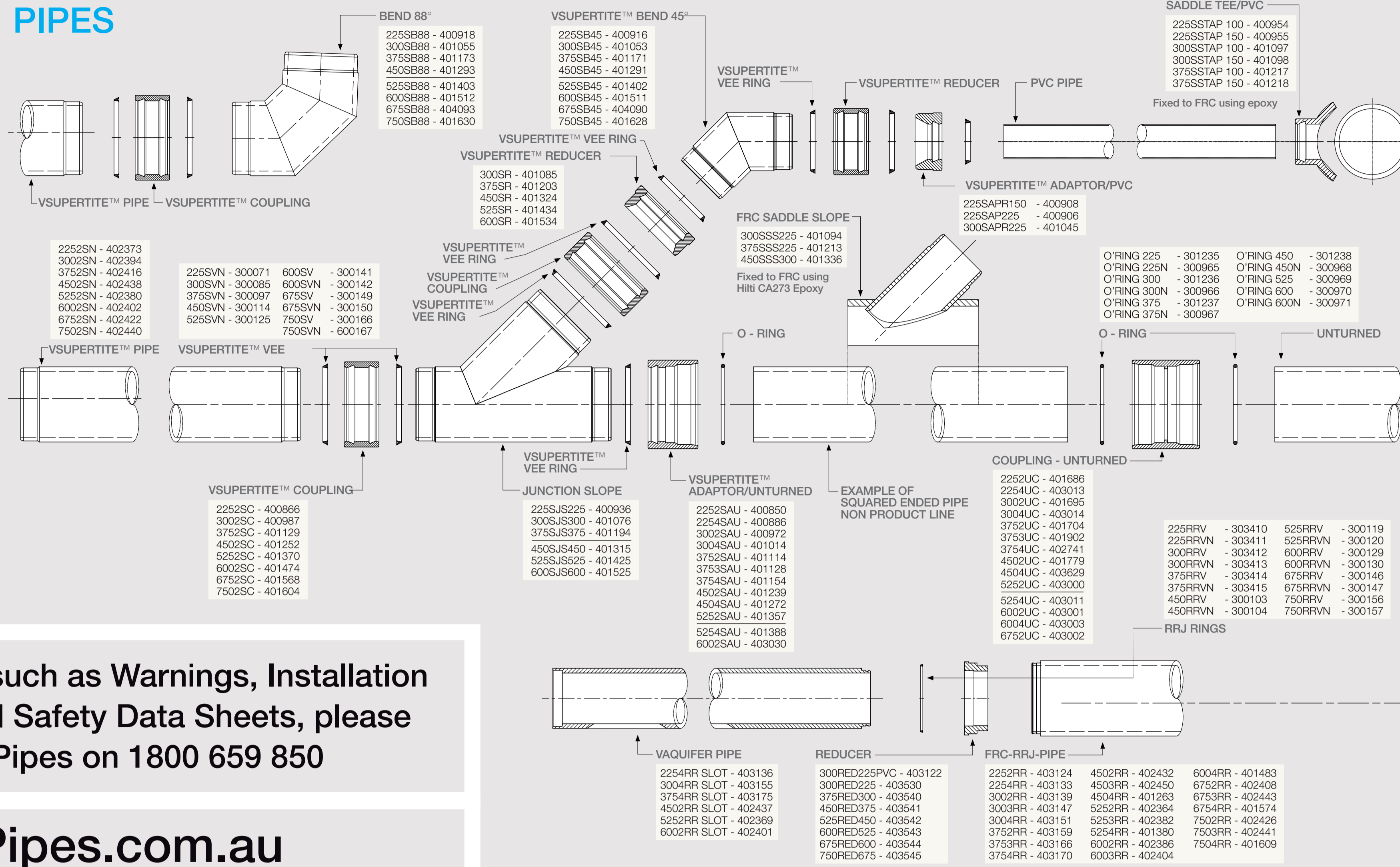


## NOTES

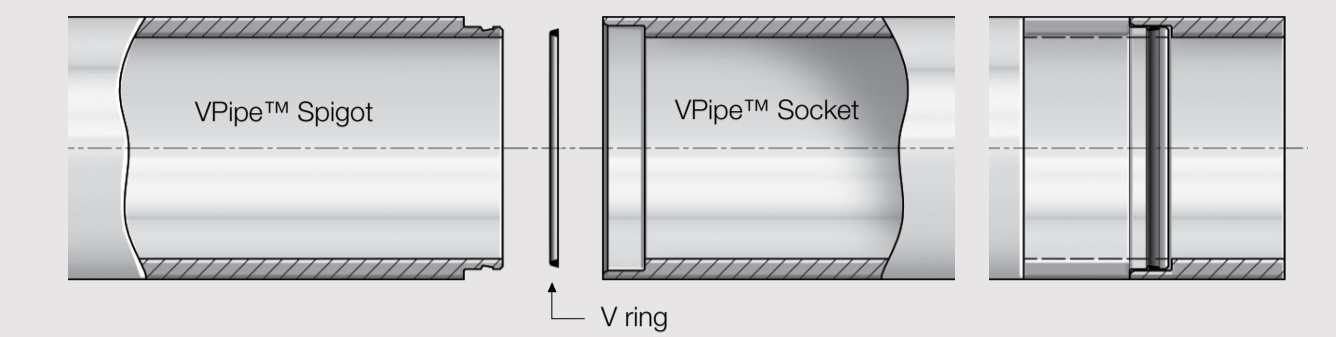
- 1 Safety First. Refer to our warnings and safe working instructions available at [www.vantagepipes.com.au](http://www.vantagepipes.com.au)
- 2 All dimensions are nominal and may change without notice.
- 3 All Pipes Manufactured to AS4139-2003 under an ISO 9001 quality management system.

COPYRIGHT DECEMBER 2015 © FRCPA PTY LTD T/AS VANTAGEPIPES  
 ABN 64 605 089 941™ AND © DENOTES A TRADEMARK OR REGISTERED MARK OWNED BY FRCPA TECHNOLOGY LIMITED.

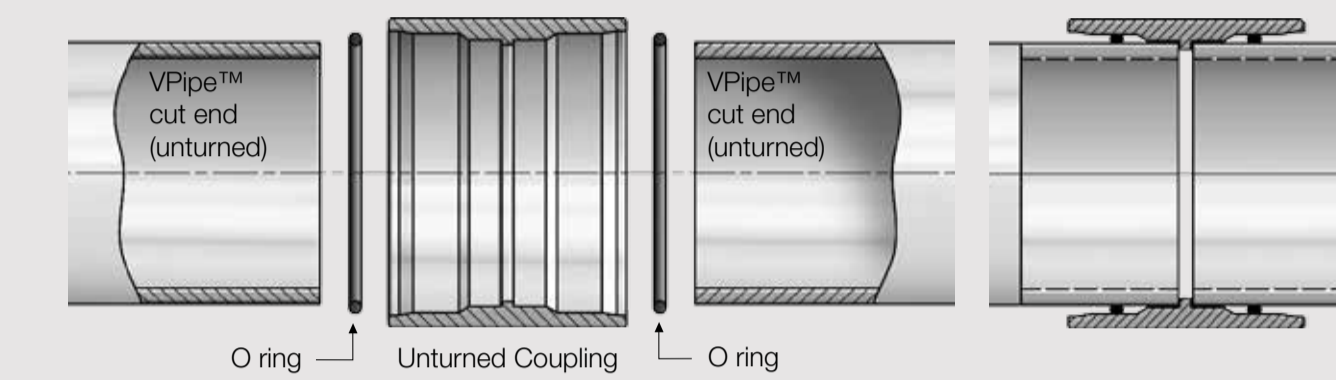
## PIPES



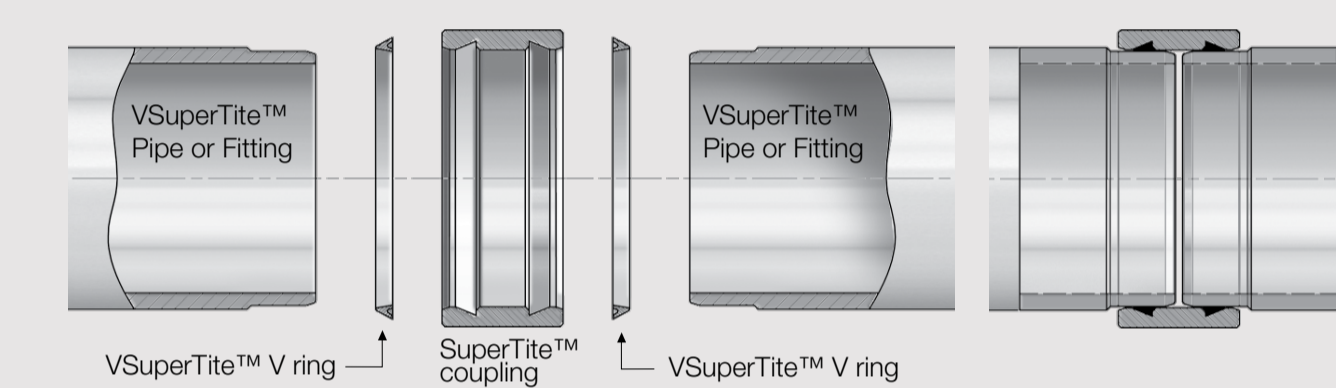
## JOINTING OPTIONS



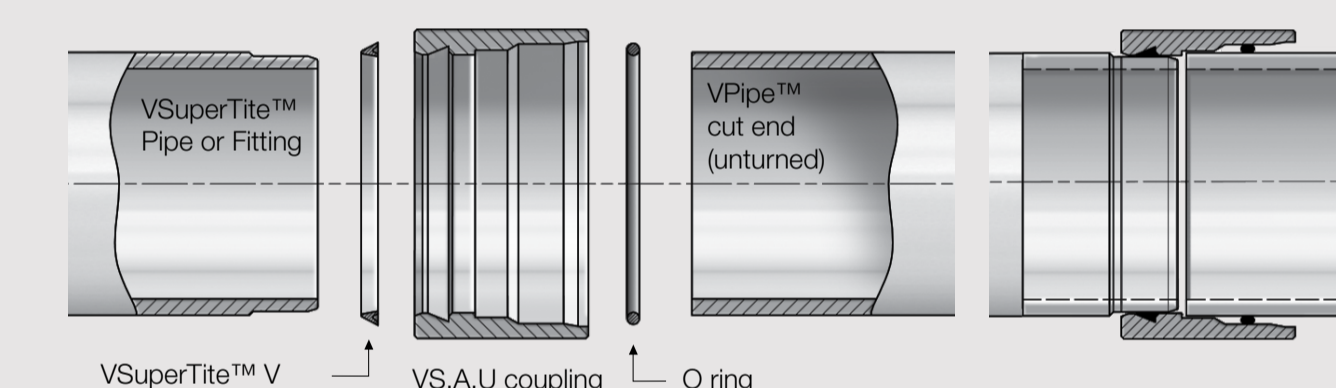
VPIPE™ STANDARD RUBBER RING JOINT



UNTURNED™ COUPLING



VSUPER TITE™ COUPLING

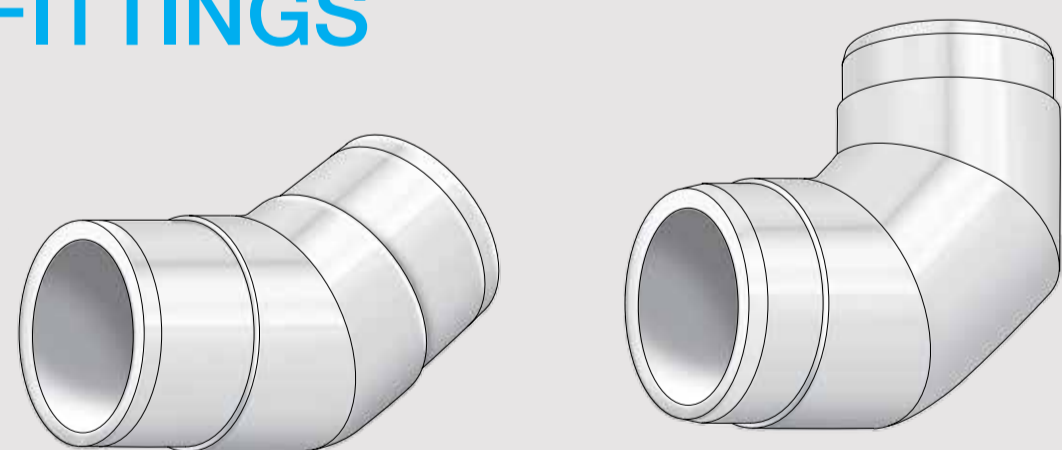


VSUPER TITE™ TO UNTURNED ADAPTOR

For further information such as Warnings, Installation Instructions or Material Safety Data Sheets, please contact VantagePipes on 1800 659 850

[VantagePipes.com.au](http://VantagePipes.com.au)

## FITTINGS



**45° BEND**  
 Product: SB45

**88° BEND**  
 Product: SB88

Pipe Diam (mm)	45° Bend		88° Bend	
	45° Bend	88° Bend	Approx. Mass (kg)	Approx. Mass (kg)
225	10	12		
300	16	23		
375	28	38		
450*	38	58		
525*	57	82		
600*	73	117		
675*	101	153		
750*	113	172		

**SADDLE SLOPE JUNCTION**  
 Product: SSS

Slope Junction		
Saddle Slope Pipe X Branch	Approx. Mass (kg)	
300/225	23	
375/225	18	
375/300	34	
450/225	21	
450/300	29	

\* Other sizes are available upon request, please contact VantagePipes for details.

**SADDLE TEE TO PVC**  
 Product: SSTAP

Saddle T to PVC		
Adaptor Size Pipe x Branch (mm)	Approx. Mass (kg)	
225/100	5	
300/100	7	
375/100	6	
225/150	6	
300/150	8	
375/150	9	

**PVC SADDLE SLOPE TO PVC**  
 Product: PVC

Slope Junction		
Description	Nominal Branch Size DN (mm)	
225/300 PVC Slope Saddle	100, 150	
375/450 PVC Slope Saddle	100, 150, 225	
525/600 PVC Slope Saddle	100, 150, 225	
675/750 PVC Slope Saddle	100, 150, 225	

**SLOPE JUNCTION**  
 Product: SJS

Slope Junction		
Pipe Diam (mm)	Branch Size (mm)	Approx. Mass (kg)
225	225	21
300	300	40
375	375	64
450*	450	94
525*	525	140
600*	600	200
675*	675	250
750*	750	289

\* Non-stock items, please contact VantagePipes for availability.

**REPAIR COLLAR**  
 Product: REPAIR

Pipe Diam (mm)	Repair Collar	
	Dimensions Range (mm)	
	Min (mm)	Max (mm)
225	257	284
300	336	345
375	415	422
450	504	509
525	584	590
600	664	677
675	733	752
750	783	806

The mass figures above are intended as a guide only and may vary depending on ambient conditions. The O.D. values listed are based on manufacturing specification to meet AS4139 requirements. Effective length may vary with joint type.